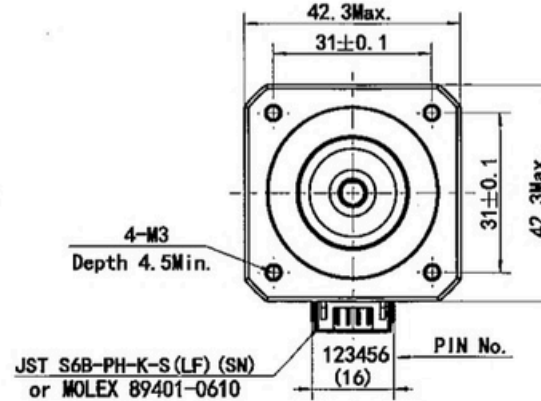
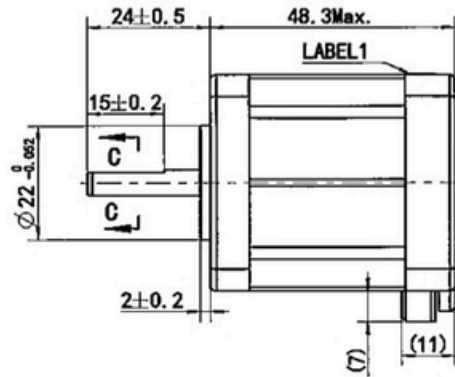
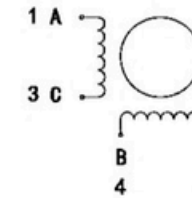


MS17HA6P4050



Wiring Diagram



Exciting Sequence vs. Direction of Rotation

STEP	A	B	C	D	CCW
1	+	+	-	-	↑
2	-	+	+	-	
3	-	-	+	+	
4	+	-	-	+	

Clockwise view from mounting side

Label1 Detail

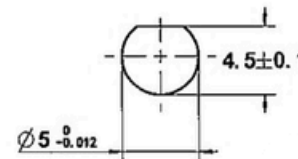
STEPPING MOTOR
 Insulation: Class B, 60VDC Max.
 0.5Amp Holding: 0.5Nm
 3000RPM Max. **UL** **US**
 UL FILE No. E465363 XXX Factory ID

Label2 Detail

TYPE MS17HA6P4050
 XXXXXXXX YY/MM/DD
 Work Order Date Format

Specification	
1. Number of Phase	2
2. Step Angle	0.9°
3. Rated Voltage	12.5 V DC
4. Rated Current	0.5 Amp
5. Holding Torque	0.56 Nm Typ. (Two phase on/rated current)
6. Phase Resistance	25 ohm ±10% (20°C)
7. Phase Inductance	74 mH ±20%(1kHz 1V rms)
8. Rotor Inertia	82 gcm ²
9. Motor Weight	0.35 kg
10. Insulation Class	B (130°C)

C-C(3:1)



Unit:mm
 First angle method
 Tolerances for linear and angular dimensions without individual tolerance indications GB/T 1804-m eqv ISO 2768-1:m
 Geometrical tolerance for features without individual tolerance indications GB/T 1184-K eqv ISO 2768-2:K

Approve	
Standardize	
Process Review	
Check	
Design	
NAMES	SIGNATURE
	DATE

PIVEXIN TECHNOLOGY

A1	ECR:23-317, There are two positions	2023. 03. 29
A0	Original revision	2017. 03. 27
REV.	REVISION RECORD	DATE